



EXHAUST AND SUPPLY AIR VALVES



Contents

	Page
Introduction	Page 3
Model EPV-TG Exhaust Air Valve	Page 4 - 5
Model SPV-TG Supply Air Valve	Page 6 - 7

Introduction

Air valves offer a simple yet effective means of providing supply and extract air for most commercial, industrial and domestic ventilation applications. The Models EPV-TG, SPV-TG are typically installed in Hotels, Flats, Apartments, Halls of Residence and Hospitals.

The Model EPV-TG has a convex inner cone for use on exhaust systems, whilst the Model SPV-TG has a concave inner cone for use on supply systems, both are supplied with a steel fixing collar. Adjustment of the airflow rate is obtained by rotating the inner cone either inward or outward. Once the required setting is achieved the inner cone is held in place by use of an integral locknut.



Model EPV-TG Exhaust Air Valve



Model SPV-TG Supply Air Valve

Model EPV-TG Exhaust Air Valve


Model EPV-TG

Mounting Ring
Valve Seat
Inner Cone
Description

Model EPV-TG is a circular exhaust air valve constructed in three sections, a convex inner cone, an outer valve seat having a foam gasket and a mounting ring. It is suitable for installation either in a duct, wall or ceiling. The 50mm mounting ring is provided for fixing into a duct or structural opening using screws (by others). Once the mounting ring is fixed into position, the valve seat should be rotated to engage the cross bar onto the flange grooves in the mounting ring. This retains the valve seat onto the mounting ring and compresses the foam gasket to create an airtight seal. The central bolt on the inner cone is located into the cross bar and turned clockwise to the desired position. Regulation of the airflow is carried out by simply rotating the inner cone clockwise or anti-clockwise until the required air volume is obtained.

Specification
Construction

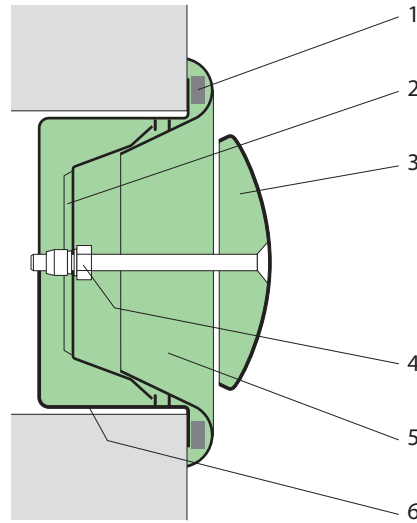
All main components from Pressed Steel with foam gasket seal.

Installation

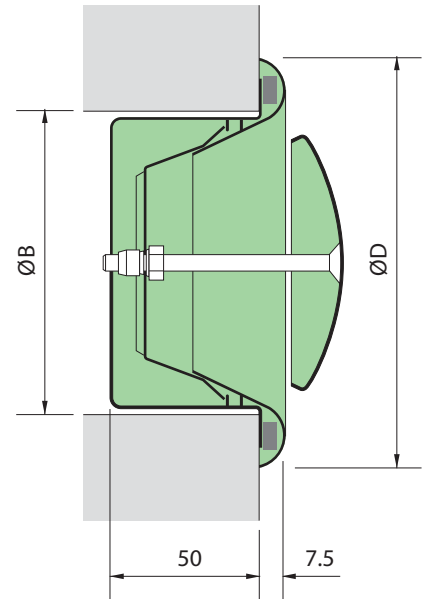
Screw fixing (by others).

Colour Finish

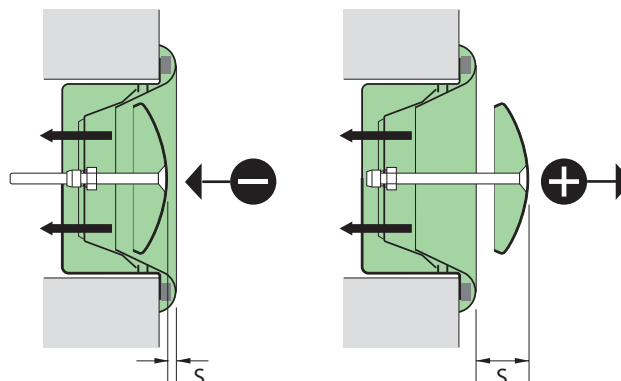
RAL 9010
 RAL 9016
 Other RAL Colours

Components Parts


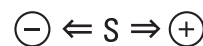
1. Foam Gasket
2. Cross Bar
3. Inner Cone
4. Locknut
5. Valve Seat
6. Mounting Ring

Dimensions


Size	ØB	ØD
100	100	139
125	125	160
150	150	192
160	160	196
200	200	232

Air Flow Regulation

Air flow regulation:

Adjust the air volume by rotating the valve disc in plus or minus direction.



s (mm). See Selection Tables on page 5 for details.

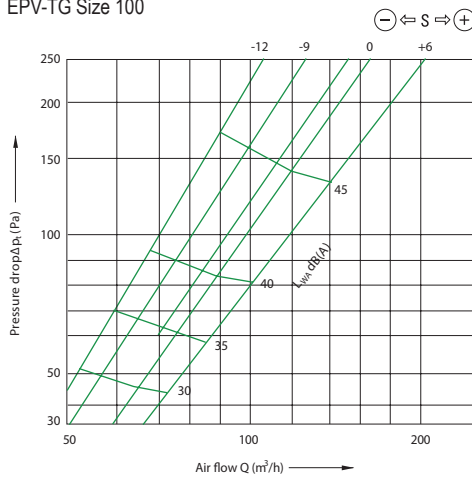
Quick Selection Guide

Model EPV-TG Exhaust Air Valve

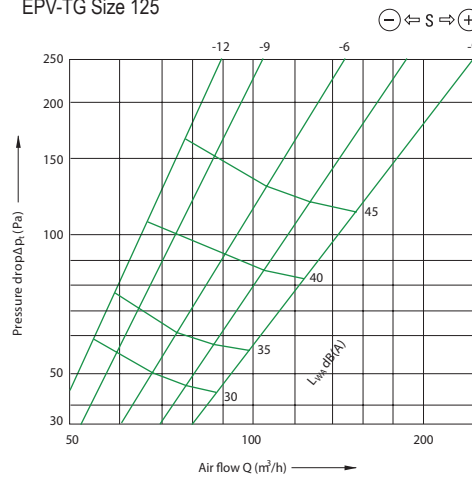
Size	Setting (mm)	Air Volume L/s	M3/hr	Pressure Drop Pa	Sound Level Lw dB(A)
100	"0"	20	72	60	35
	"0"	25	90	85	40
	"0"	35	126	145	45
125	"0"	20	72	40	30
	"0"	25	90	60	35
	"0"	30	108	85	40
	"0"	35	126	140	45
150/160	"0"	25	90	40	30
	"0"	30	108	60	35
	"0"	35	126	85	40
	"0"	50	180	150	45
200	"0"	45	162	80	35
	"0"	55	198	125	40
	"0"	65	234	160	45

Selection Guide

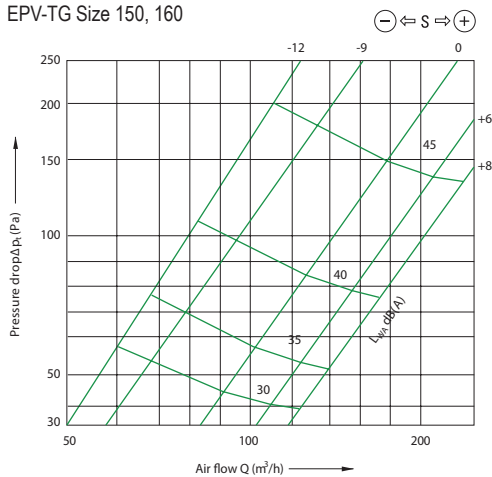
EPV-TG Size 100



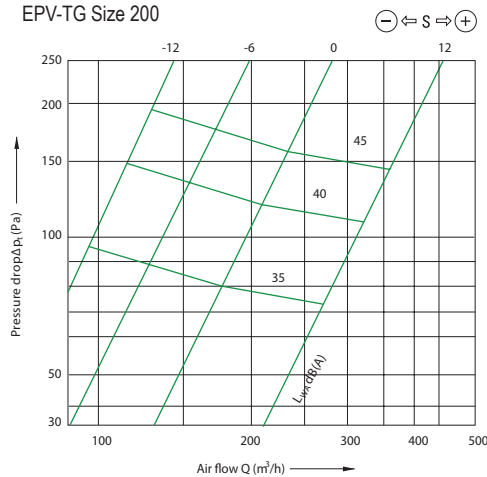
EPV-TG Size 125



EPV-TG Size 150, 160



EPV-TG Size 200



Example

Use the air flow volume air flow Q (m^3/h) and pressure drop over the valve ΔP_t (Pa) to determine the valve set up s (mm) - using the positive negative direction.

Given data: $Q = 70 m^3/h$ $\Delta P_t = 60$ Pa

Sizing diagram at the valve 100 gives the valve set-ups $s = -3$ mm.

Q (m^3/h)

Air flow

ΔP_t (Pa)

Pressure Drop

LWA dB(A)

Sound power level.

Ordering Information

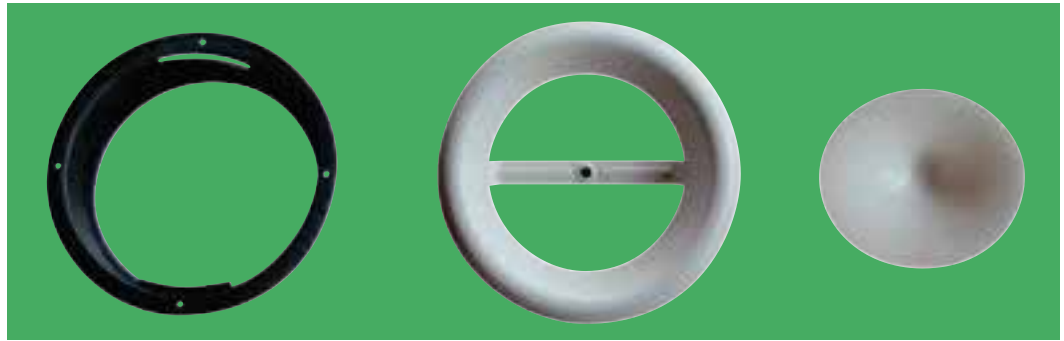
Example

Model Type
EPV-TG
Exhaust Air Valve

Size
100, 125, 150, 160, 200

Color Finish
RAL 9010
RAL 9016
Other RAL Colours

Model SPV-TG Supply Air Valve


Model SPV-TG

Mounting Ring
Valve Seat
Inner Cone
Description

Model SPV-TG is a circular supply air valve constructed in three sections, a concave inner cone, an outer valve seat having a foam gasket and a mounting ring. It is suitable for installation either in a duct, wall or ceiling. The 50mm mounting ring is provided for fixing into a duct or structural opening using screws (by others). Once the mounting ring is fixed into position, the valve seat should be rotated to engage the cross bar onto the flange grooves in the mounting ring. This retains the valve seat onto the mounting ring and compresses the foam gasket to create an airtight seal. The central bolt on the inner cone is located into the cross bar and turned clockwise to the desired position. Regulation of the airflow is carried out by simply rotating the inner cone clockwise or anti-clockwise until the required air volume is obtained.

Specification
Construction

All main components from Pressed Steel with foam gasket seal.

Installation

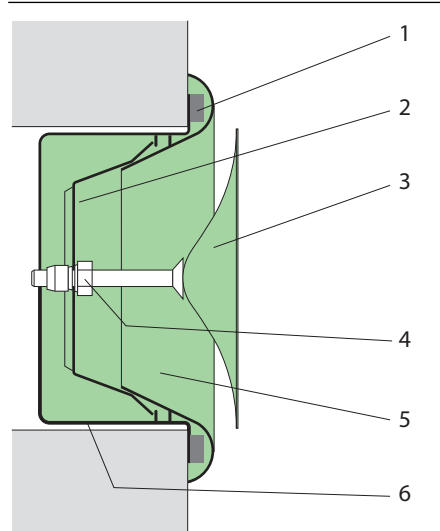
Screw fixing (by others)

Colour Finish

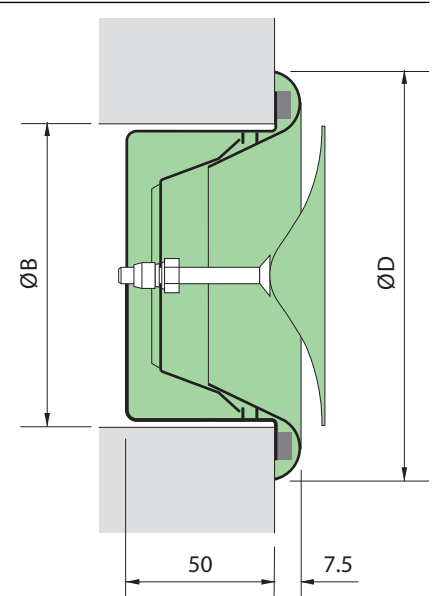
RAL 9010

RAL 9016

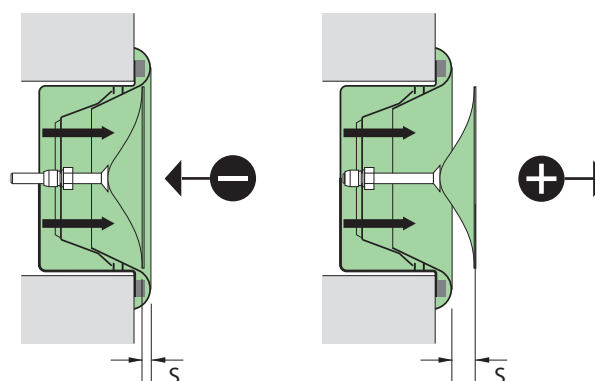
Other RAL Colours

Component Parts


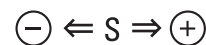
1. Foam Gasket
2. Cross Bar
3. Inner Cone
4. Locknut
5. Valve Seat
6. Mounting Ring.

Dimensions


Size	ØB	ØD
100	100	139
125	125	160
150	150	192
160	160	196
200	200	232

Air Flow Regulation

Air flow regulation:

Adjust the air volume by rotating the valve disc in plus or minus direction.



s (mm). See Selection Tables on page 7 for details.

Exhaust and Supply Air Valves

Quick Selection Guide

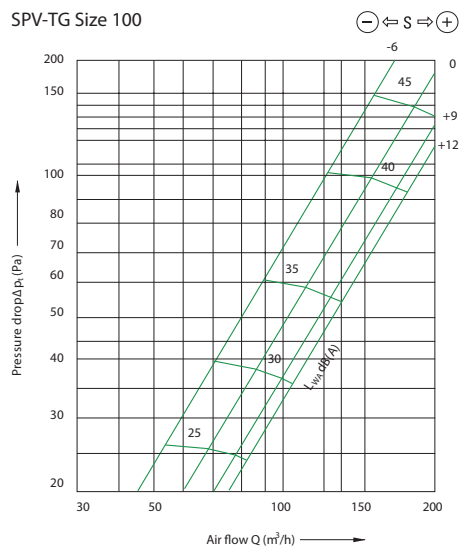


Model SPV-TG Supply Air Valve

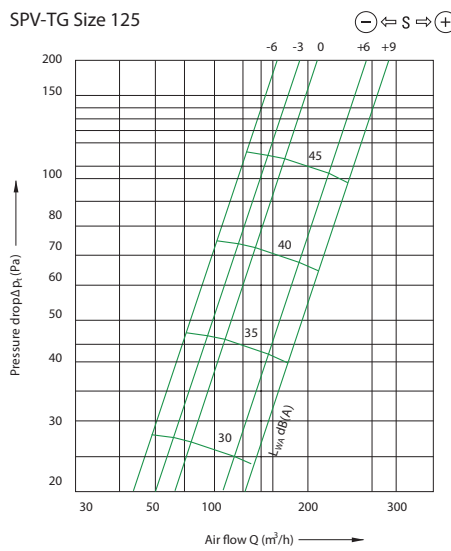
Size	Setting (mm)	Air Volume L/s	M3/hr	Pressure Drop Pa	Sound Level Lw dB(A)
100	"0"	20	72	26	25
	"0"	25	90	38	30
	"0"	35	126	58	35
	"0"	45	162	100	40
125	"0"	20	72	28	30
	"0"	30	108	48	35
	"0"	35	126	72	40
150/160	"0"	50	180	110	45
	"0"	40	144	45	35
	"0"	50	180	60	40
200	"0"	60	216	85	45
	"0"	45	162	45	35
	"0"	50	180	60	45
	"0"	60	216	85	55

Selection Guide

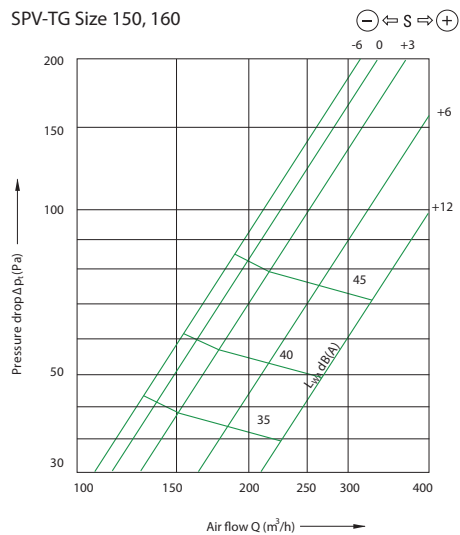
SPV-TG Size 100



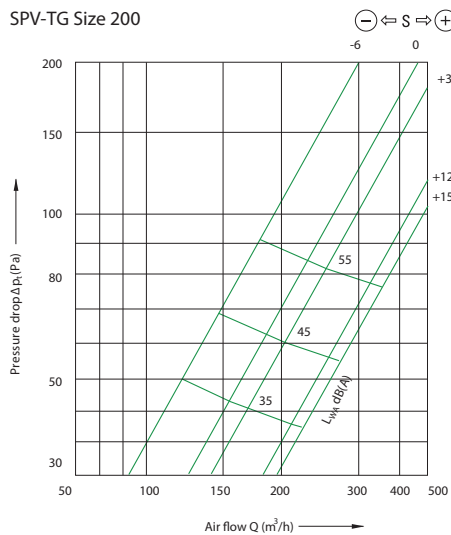
SPV-TG Size 125



SPV-TG Size 150, 160



SPV-TG Size 200



Ordering Information

Example

Model Type	Size	Colour Finish
SPV-TG	100, 125, 150, 160, 200	RAL 9010
Supply Air Valve		RAL 9016
		Other RAL Colours

Other Products

- Linear Bar Grilles
- Egg Crate Grilles
- Linear Slot Diffusers
- Diffusers
- Flexible Ducts
- VAVs
- Air Handlers
- Fan Coil Units

Project References

- Fortnum & Mason Boutique, Dubai Mall – Dubai, UAE
- Bright Start Resort by Four Seasons, Jumeirah Beach Road – Dubai, UAE
- His Highness Ahmed Nashaat Villa, Palm Jumeirah – Dubai, UAE
- New Burjuman Shopping Center, Bur Dubai – Dubai, UAE
- Katsuya Japanese Cuisine, Level 1, Dubai Mall – Dubai UAE
- DCommand of Military Works – Dubai, UAE
- Four Seasons Hotel, Bahrain Bay - Bahrain.
- Barakah Nuclear Power Plant , UAE
- Four Seasons Jumeirah - Dubai, UAE
- Dubai Trams, UAE
- Heart of Doha - Doha Land.
- King Abdullah Sports City, KSA
- Abu Dhabi International Airport - Abu Dhabi, UAE

Titus Middle East Address

RUSKIN TITUS GULF LLC U.A.Q.
Manufacturing Plant: P.O. BOX 4683
UAQ – UAE.
T. +971 (4)421 3560
F. +971 (4) 421 3562
Email: sales@ruskintitus.com
www.ruskintitus.com

